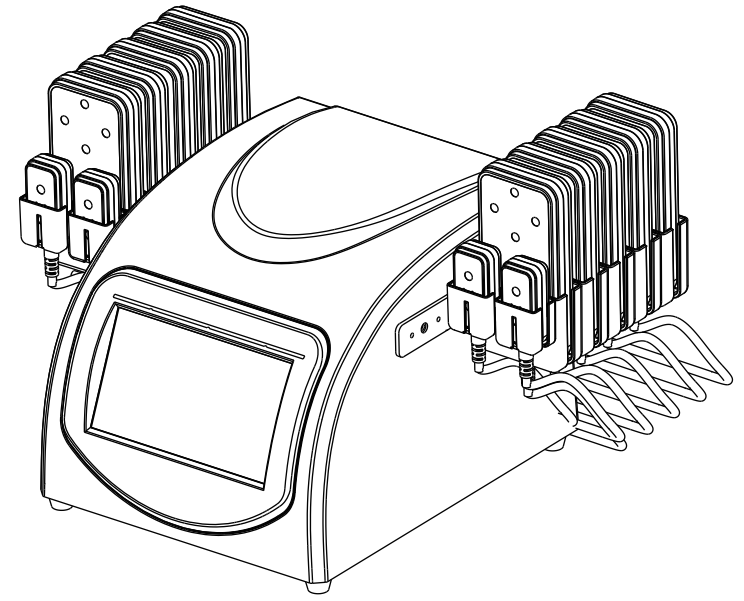


User Manual

WL-UU1401



Content

1.Safety Precautions	1
2.Contraindications	1
3.Overview	2
4.Control Panel Introduction.....	2
5.Technical Specification	4
6.Use Precautions	4
7.Maintenance & Cleaning.....	5
8.FAQ	6
9.Ask & Answer	7
10.Operation Guide	8
11.Warranty & Support	9

1.Safety precautions

- 1.Please read this manual carefully before use and familiarize yourself with the operation of this device and related technology.
 - 2.This instrument is a high-precision electronic device that requires proper storage. Please avoid storing it in humid conditions, direct sunlight, or near flammables and explosives to prevent damage.
 - 3.Always use the designated accessory provided or recommended by the manufacturer to ensure performance throughout its service life.
 - 4.Do not place the device in high-temperature conditions, as this may negatively impact its service life and performance.
 - 5.Do not apply the instrument on eyes, thyroid, parathyroid, testicles, pregnant women's abdomen, pacemakers, etc.
 - 6.Patients should refrain from using this instrument unless they have obtained permission from their doctor.
 - 7.Power off the instrument when not in use to ensure its safety.
- If you are currently taking anti-adiposity drugs, please discontinue their use for 1 - 2 months before using this instrument. Failure to do so may result in an extended course of treatment.

2.Contraindications

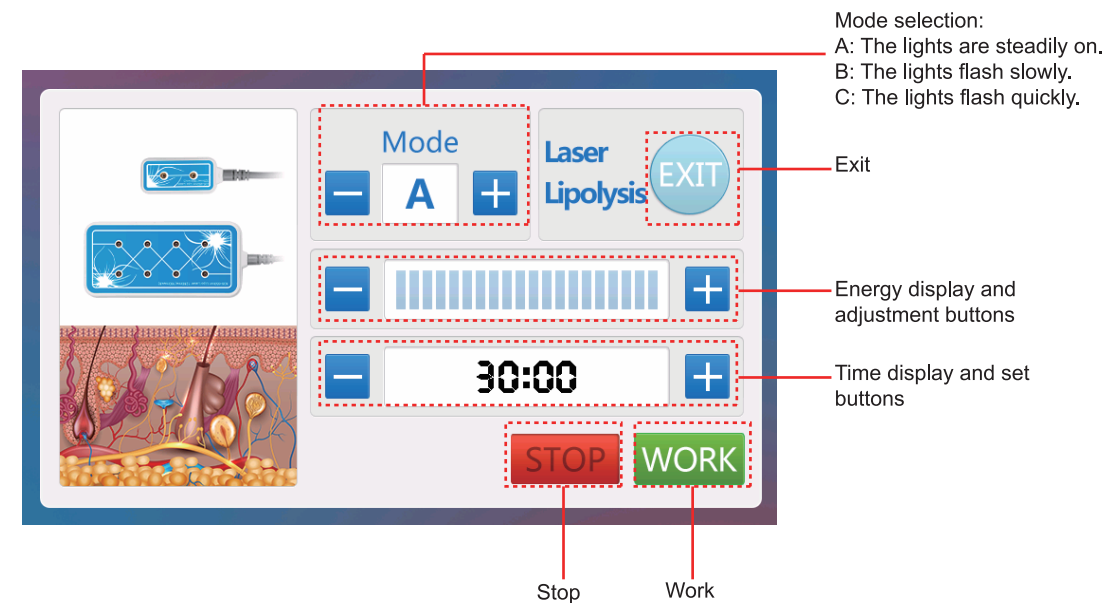
Before using this device, it is essential to consult your doctor or seek advice from professionals. Details below:

1. Pregnancy or lactation.
2. Hypertension, heart disease, or with a pacemaker installed.
3. Unhealed wounds or during the recovery phase of surgery.
4. Epilepsy, severe diabetes, and hyperthyroidism.
5. Malignant tumors, hemophilia, and hemorrhage.
6. Skin disease or infectious disease.
7. Cesarean section within the last six months, a miscarriage within the last three months, or a natural birth within the last two months.
8. Had plastic surgery within 3 months or with implants or metal objects in the treatment area.

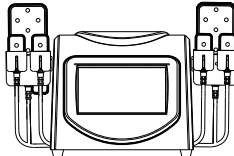
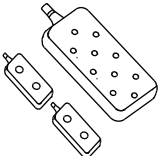
3. Overview

Featuring cutting-edge and safe technology for promoting metabolism and sculpting the body, this laser-shaping instrument helps you achieve your desired body figure and radiant complexion. It provides the perfect solution for people seeking improvements in skin appearance and body figures without injections, drugs, or side effects. Its external application yields immediate results.

4. Control Panel Introduction



5. Technical Specification

	Input Voltage: AC110V-220v 50/60Hz	Net weight: 7.3KG
	Power: 18.7W	Gross weight: 8.6KG
	Dimensions: 8.3×9.1×9.8inches	
	Input power: 18.7W	
	Wavelength: 650nm160mw	
	Power: 22W	

6. Use Precautions

1. Strictly follow the instructions in the manual to use the instrument and train operator.

2. Before using the instrument, use a plug with a grounding pin and ensure the power socket is grounded.

3. Make sure the voltage of the instrument is adapted. If the local power supply voltage is unstable, we recommend adding a power-matched regulated power supply between the mains and the instrument.

4. Remove all the metal objects inside the body to avoid causing accidents or affecting treatment effects.

5. Do not use the device on an empty stomach, and take the treatment 1 hour later after the meal.

6. Fix the laser pads on the treated individual first, then switch on the instrument, and slowly adjust the energy intensity from low to high to ensure a warm and comfortable experience for the user.

7. Make sure the laser pads are in full contact with the skin during the procedure, and avoid partial contact.

8. For optimal results, combine the laser pad with other beauty instruments. If using the laser pad alone, affix the pads to the treatment area and wait for approximately 20 minutes.

7. Maintenance & Cleaning

1. Disconnect the power cord when not in use and store the instrument in a dry, cool, and well-ventilated place.

2. Clean and sanitize the applicator with a damp cloth or saline, and then dry it thoroughly with a dry towel to ensure it remains dry.

3. After cleaning the instrument, cover it with a dustcloth or plastic wrap. Before use, ensure to sanitize the handle again for hygienic reasons.

4. Disassembling the instrument and attempting to clean the inside is strictly prohibited. This task should only be performed by professionals.

8. FAQ

1. Laser Lipolysis treatment or liposuction surgery?

A: Laser Lipolysis treatment differs from traditional liposuction by scanning the area with adipose accumulation individually, avoiding unevenness in the skin. This method leaves the skin smooth and tight. The laser specifically targets only the designated adipose layer without harming the skin. Additionally, it promotes the repair of skin elasticity, resulting in a firm and smooth skin appearance.

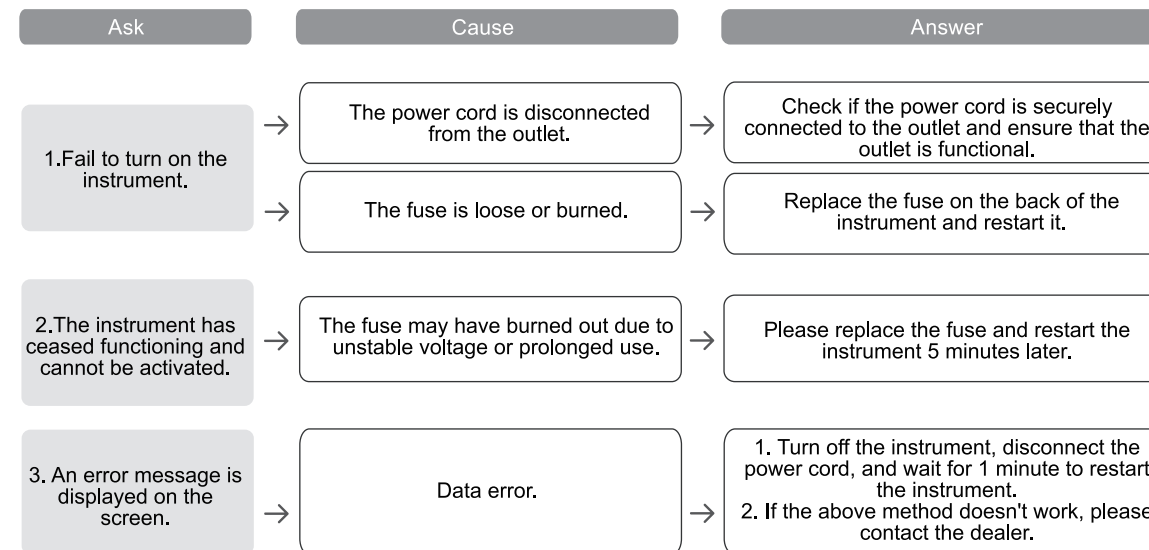
2. Is this laser treatment safe?

A: Absolutely. The treatment employs a specific red laser to gently heat the deep subcutaneous tissue, effectively dissolving adipose tissue. This process is safe, comfortable, and completely devoid of any side effects or discomfort.

3. Should I diet and maintain exercise after treatment?

A: Yes, a healthy diet and moderate exercise are advisable. While Laser Lipolysis yields visible effects, relying solely on it is not recommended. Continuous overeating may compromise the achieved results. There's no guaranteed 100% permanent body sculpting; hence, maintaining a healthy lifestyle enhances and sustains the outcomes.

9. Ask & Answer



10.Operation Guide

Eye:



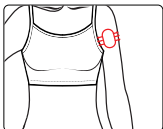
Step 1: (20 minutes)



Arm:



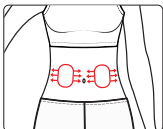
Step 1: (20 minutes)



Belly:



Step 1: (20 minutes)



Leg:



Step 1: (20 minutes)



11.Warranty & Support

We provide a one-year warranty and a one-month return and replacement policy from the date of purchase.

Product Name: LaserLipo Sculptor

Product Model: MY-UU1401

Production Date: _____

Quality Inspection: _____

PASS